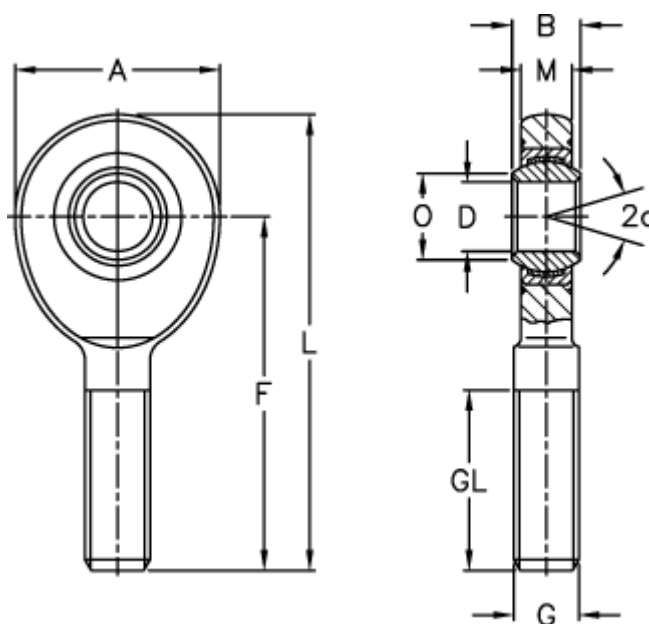


Article number: 03487080

Description: Fluro Rod end EAL 80D-2RS

Note: 80

## Measures



A	= 180	L	= 360
a (degrees)	= 6	M	= 47
B	= 55	O	= 89.4
D	= 80	Static drive kN	= 752
Dynamic drive (kN)	= 750	Weight	= 12000
F	= 270		
g	= M 64x4		
GL	= 140		